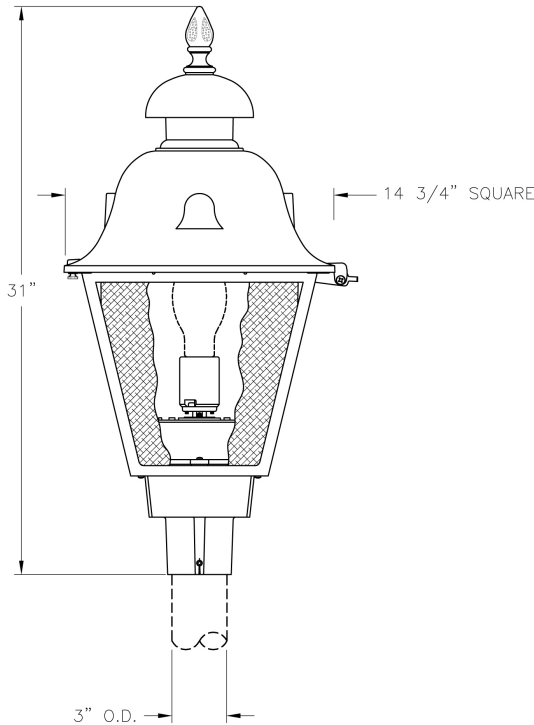


# Grande Jefferson (8432) Specification Sheet

Project Name:	Location:	MFG: Philips Lighting
Fixture Type:	Catalog No.:	Qty:



## Ordering Guide

Example: 8432 BLK A D 50H E B B

<b>Product Code</b>	8432	Grande Jefferson	
<b>Finish</b>	BLK BRZ FGN VGN WHT	Black Bronze Forest Green Verde White	
<b>Panel/Globe</b>	A B C D E M P Q	Clear Acrylic Opal Acrylic Clear Seeded Acrylic Bronze Tone Acrylic Clear Textured Acrylic Opal Polycarbonate Clear Polycarbonate Prismatic Polycarbonate	
<b>Socket</b>	D G	Medium Mogul	
<b>Wattage/Source</b>	50H 70H 100H 150H 35S 50S 70S 100S 150S 150I	50W MH 70W MH 100W MH 150W MH 35W HPS 50W HPS 70W HPS 100W HPS 150W HPS 150W INC.	*1 *1 *1  *1,2 *2    *1,2
<b>Voltage</b>	E F G H	120V 208V 240V 277V	
<b>Distribution</b>	B C D E M P V N	6" Type V Distrib. 6" Type III Distrib. 8" Type V Distrib. 8" Type II Distrib. Type III - Cutoff Optic *3 Type V - Cutoff Optics *3 Type V - Cone *1,3 None	
<b>Photoeye</b>	B R N	Button Eye Twist-Lock *3 None	

- \*1 Only available with (D) Medium base socket.
- \*2 Available in 120V only
- \*3 Twist-lock receptacle (R) not available with M, P, or V optics

## Specifications

# Grande Jefferson (8432) Specification Sheet

Project Name:	Location:	MFG: Philips Lighting
Fixture Type:	Catalog No.:	Qty:

**CONSTRUCTION:**

Cast aluminum finial. Cast aluminum cap and neck. Cast aluminum hinged square roof secured with thumbscrews. Cast aluminum hinged square cage. Cast aluminum post fitter slips over 3" dia. post or tenon.

**FINISH:**

Resilient TGIC thermoset polyester powdercoat paint is electrostatically applied to every fixture. Specially formulated for Philips Outdoor Lighting, it provides UV protection, and the highest temperature rating in the industry. In addition to the standard color choices shown, a spectrum of custom colors is available.

**PANELS/LENS/GLOBE:**

See lenses for available options.

**LAMPING:**

Lamp is not included.

**ELECTRICAL ASSEMBLY:**

Lantern will be prewired and tested. All electrical components are ETL listed.

**BALLAST:**

Two-piece moisture proof cast aluminum ballast housing with ballast and component parts mounted inside. (Customer must specify desired type of ballast.)

**MOUNTING:**

Fixture mounts to 3" dia. post or tenon.

**WARRANTY:**

Three-year limited warranty.

**CERTIFICATIONS:**

ETL Listed to U.S. safety standards for wet locations. cETL Listed to Canadian safety standards for wet locations.

**Height:**

31" or 26 7/8"

**Width:**

14 3/4"

**Fitter:**

3" I.D.

**EPA:**

1.22

**Max. Weight:**

44 lbs.